



**For 3 Way control of hot water or chilled water up to 50% Glycol.**



**Description**

The actuated **Butterfly Valve** is comprised of an actuator, linkage and valve body. In the case of the 3 Way valves, a cast iron tee is also included. The valve size and type, Cv ratings and Close-Off pressure determine the type of actuator series used. This correlation is in the Valve Selection Chart.

Valves are Class 125 bubble tight to 200 PSI and are sized from 2 to 12 inches. They feature a cast iron body with aluminum bronze disc and EPDM seat. The patent pending S-shaped disc improves the Cv rating and enhances the flow capacity. The result is minimum turbulence. The unique Touch Seat design (U.S. Patent No. 4,605,201) requires reduced torque to seat the disc. Connections are full lug, drilled and tapped.

***Note:** Stainless steel disc and Buna-N seating materials are available by special order.*

**Specifications**

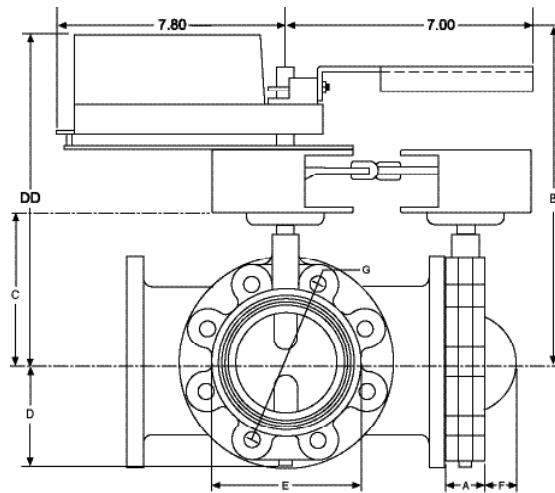
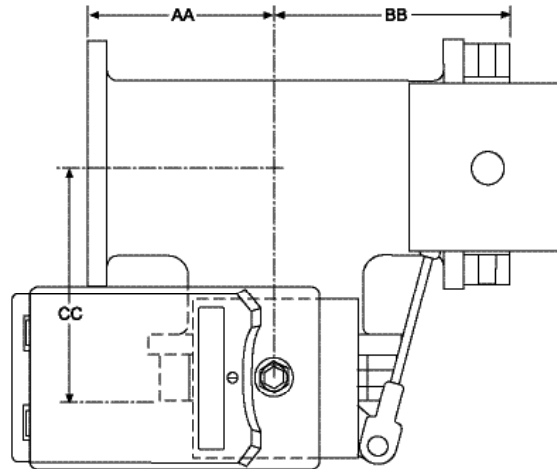
<b>Valve Flow Type:</b>	<b>3 Way:</b> Modified Equal Percentage
<b>Body:</b>	Cast Iron ASTM A128 Class B
<b>Disc:</b>	Aluminum Bronze B146-C95200 (or Stainless Steel) ASTM A351 CF8M (Upon request)
<b>Cartridge Seat:</b>	EPDM (or Buna-N Upon request)
<b>Upper &amp; Lower Stem Material:</b>	Stainless Steel ASTM A276 Type 420
<b>Main Bearings:</b>	Teflon
<b>Ring:</b>	Stainless Steel ASTM A276 Type 304
<b>“O” Ring:</b>	Buna - N
<b>Gasket:</b>	Asbestos Free
<b>Bottom Spacer:</b>	Stainless Steel ASTM A276 Type 403
<b>Screws, Bolts, Washers &amp; Cover:</b>	Zinc Plated Carbon Steel ASTM A36
<b>End Connections:</b>	Flanged, ANSI Class 125, Full Lug, Drilled & Tapped
<b>3 Way Tee:</b>	Cast Iron

# DIMENSIONS - BUTTERFLY VALVES

## 2"- 6", FULL LUGGED, TT/TM/RT & RM ACTUATORS



3 Way, 2"- 6" with TT/ TM/ RT & RM Actuators



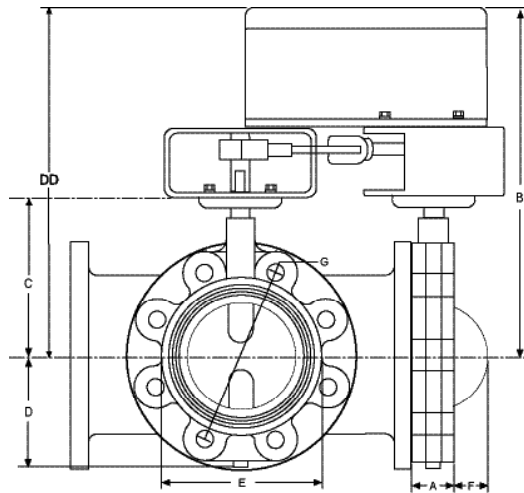
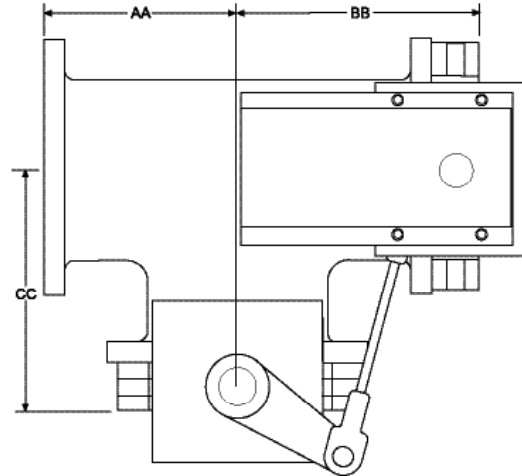
Dimension with a "T" Actuator Series	SIZE	Cv	Kv	3 WAY VALVE MODELS	CLOSE OFF PSI	DIMENSIONS FOR 3 WAY VALVES												
						A	B	C	D	E	F	G	H: LUGS		AA	BB	CC	DD
													NO	SIZE				
	2"	52	44	BT F0520WA5	200	1.69	11.39	5.51	2.72	3.69	0.24	4.74	4	5/8-11	4.50	6.19	6.19	11.39
	2.5"	104	89	BT G1040WA5	200	1.81	11.79	5.91	3.15	4.59	0.40	5.49	4	5/8-11	5.00	6.81	6.81	11.79

Dimension with a "R" Actuator Series	SIZE	Cv	Kv	3 WAY VALVE MODELS	CLOSE OFF PSI	DIMENSIONS FOR 3 WAY VALVES												
						A	B	C	D	E	F	G	H: LUGS		AA	BB	CC	DD
													NO	SIZE				
	3"	134	115	BT H1340WA5	200	1.81	11.98	6.10	3.50	5.03	0.75	6.00	4	5/8-11	5.50	7.31	7.31	11.98
	4"	210	181	BT J2100WA5	200	2.05	12.45	6.57	4.53	5.85	0.95	7.50	8	5/8-11	6.50	8.55	8.55	12.45
	5"	330	285	BT K3300WA5	150	2.20	13.24	7.36	5.24	7.07	1.46	8.50	8	3/4-10	7.50	9.70	9.70	13.24
	6"	460	397	BT L4600WA5	100	2.20	13.83	7.95	5.66	8.22	1.93	9.51	8	3/4-10	8.00	10.20	10.20	13.83

\* All dimensions are in Inches.



3 Way, 6"- 12" with UT or UM Actuators



SIZE	Cv	Kv	3 WAY VALVE MODELS	CLOSE OFF PSI	DIMENSIONS FOR 3 WAY VALVES												
					A	B	C	D	E	F	G	H: LUGS		AA	BB	CC	DD
												NO	SIZE				
6"	460	397	BT L4600WA5	200	2.20	18.70	7.95	5.66	8.22	1.93	9.51	8	3/4-10	8.00	10.20	10.20	18.70
8"	810	700	BT M8100WA5	200	2.36	19.81	9.06	6.85	10.03	2.76	11.75	8	3/4-10	9.00	11.36	11.36	19.81
10"	1180	1020	BT N1K18WA5	150	2.68	21.77	11.02	8.78	12.31	3.60	14.25	12	7/8-9	11.00	13.68	13.68	21.77
12"	1520	1314	BT P1K52WA5	100	3.07	22.95	12.20	10.24	14.12	4.31	17.01	12	7/8-9	12.00	15.07	15.07	22.95

\* All dimensions are in Inches.